

Vibration Isolation Platform (VIP)

VIP-300 Series

Low profile, countertop vibration isolation platform for microscope microindentation hardness testers and other sensitive inspection and analytical equipment. The VIP is comprised of a solid platform and three Vistek* vibration isolation bearings for maximum loads up to 100 pounds. Simple design... exceptional performance!

Convenience

- Easy installation
- No air pumps
- One-time calibration
- Maneuverability

Cost

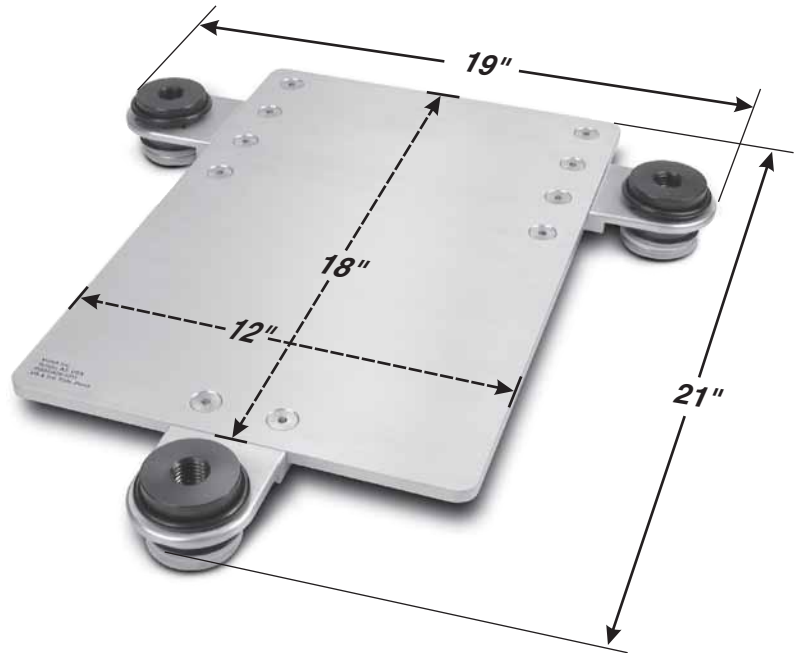
- Low purchase price
- No upkeep expenses
- Low shipping costs

Maintenance Free

- Passive/no external power source
- No wires
- No air hoses
- All metal/nothing to wear out

Size

- Compact Design
- Portable
- Low profile (1 inch)



Lifetime Guarantee

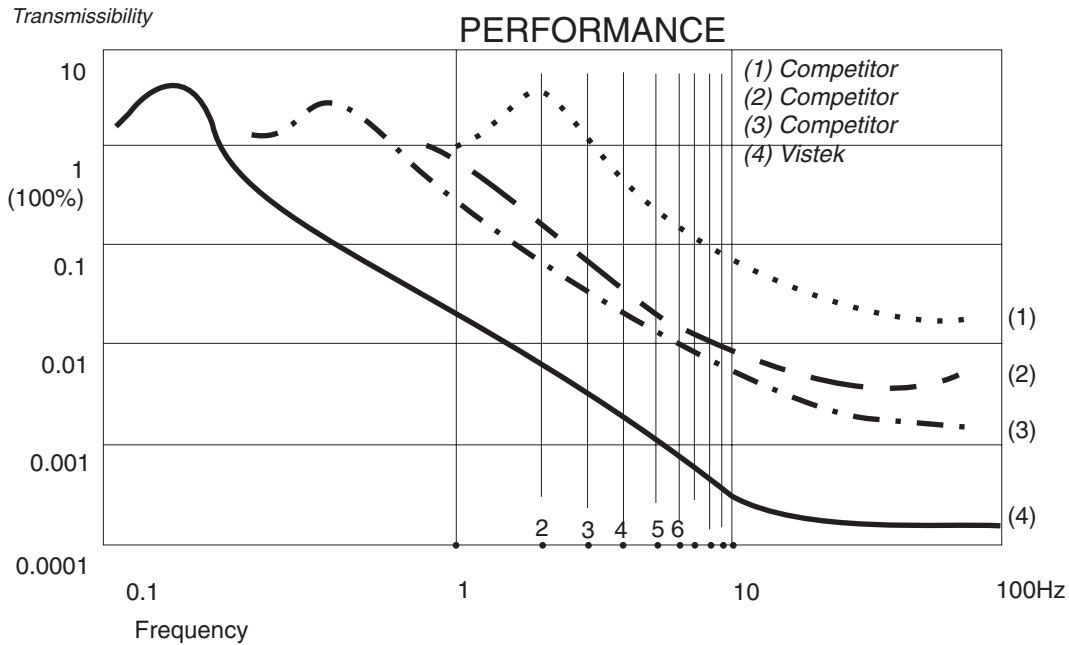
*Vistek Inc. U.S. and foreign patents pending.

Specifications

Use With	Part Number	Dimensions	Payload Range
LM-Series	861-667-101	1 in. H x 12 in. W x 18 in. D (2.5 x 30 x 46 cm)	75 to 120 lb. (34 to 54 kg)
LV-Series	861-667-102	1 in. H x 18 in. W x 24 in. D (2.5 x 46 x 61 cm)	90 to 170 lb. (41 to 77 kg)
LR-Series	861-667-103	1 in. H x 12 in. W x 18 in. D (2.5 x 30 x 46 cm)	130 to 200 lb. (59 to 91 kg)
LX-31, BX60, CK40M	861-667-104	1 in. H x 18 in. W x 24 in. D (2.5 x 46 x 61 cm)	20 to 40 lb. (9 to 18 kg)
SZX9/12	861-667-105	1 in. H x 12 in. W x 18 in. D (2.5 x 30 x 46 cm)	10 to 30 lb. (5 to 14 kg)
PMG3, PME3	861-667-106	1 in. H x 18 in. W x 24 in. D (2.5 x 46 x 61 cm)	35 to 75 lb. (16 to 34 kg)
GX51/71	861-667-107	1 in. H x 18 in. W x 24 in. D (2.5 x 46 x 61 cm)	50 to 95 lb. (23 to 43 kg)



Transmissibility Curve for the Vistek 1/6th Hertz Vibration Isolation Bearing



Characteristics

Vibration Isolation Bearing

Six degrees of freedom, passive, mechanical 1/6th Hz bearing; white vibration filter for horizontal vibrations, and a zero-stiffness; white vibration spring filter for vertical vibrations; maintenance-free

Platform

Smooth, clear anodized aluminum surface

Isolation Efficiency (vertical and horizontal)

<u>Hz</u>	<u>Efficiency</u>
10	99.99%
5	99.90%
2	99.00%
1	95.00%
0.5	89.00%

Specifications and part numbers may change.
Consult LECO for latest information.